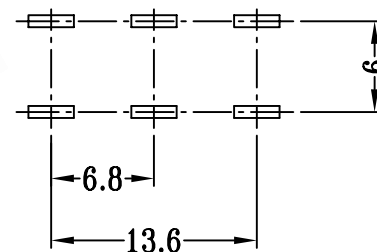
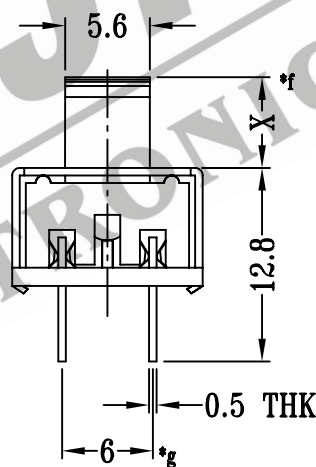
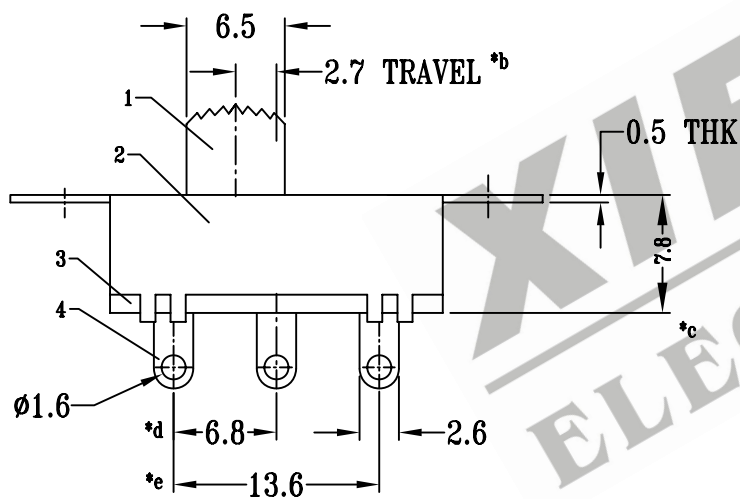
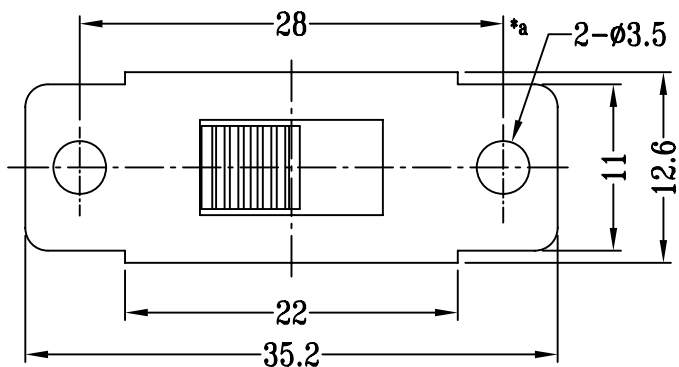


CAD FILE :



P.C.B LAYOUT

SCHEMATIC (NON-SHORTING)

注:带"*"表示关键尺寸(7个)

NO.	PART NAME	MATERIAL	QTY.	FINISHING	SHENZHEN XIEJIA ELECTRONICS CO.,LTD.				
8	CONTACT CLIP	PBS STRIP	2	Ag PLATED	TOLERANCE UNLESS SPECIFIED	ISSUE	DATE	DESCRIPTIONS	APPD
7	POSITION PLATE	STEEL STRIP	1	Ni PLATED					
6	STEEL BALL	STEEL	1	NATURAL	WITHIN: 1.5±0.1mm OVER : 1.5±0.2mm	TITLE: VERTICAL SLIDE SWITCH			
5	SPRING	STEEL WIRE	1	TEMPER		UNIT : M M	DRWG NO : XJ-DR-SS23E48-00		
4	TERMINAL	BRASS STRIP	6	Ag PLATED OVER Ni PLATED	MODEL: SS-23E48	SCALE : 2:1	DWN.	ZHOUYU	2004-8-30
3	TERMINAL BASE	PHENOLIC RESIN	1	BLACK			CHK'D	FANGYING	2004-8-30
2	FRAME	STEEL STRIP	1	Zn PLATED	ALL MATERIALS MUST BE COMPLIANT TO ROHS	APPD.	KANGXINAN	2004-8-30	
1	KNOB	PC	1	BLACK					